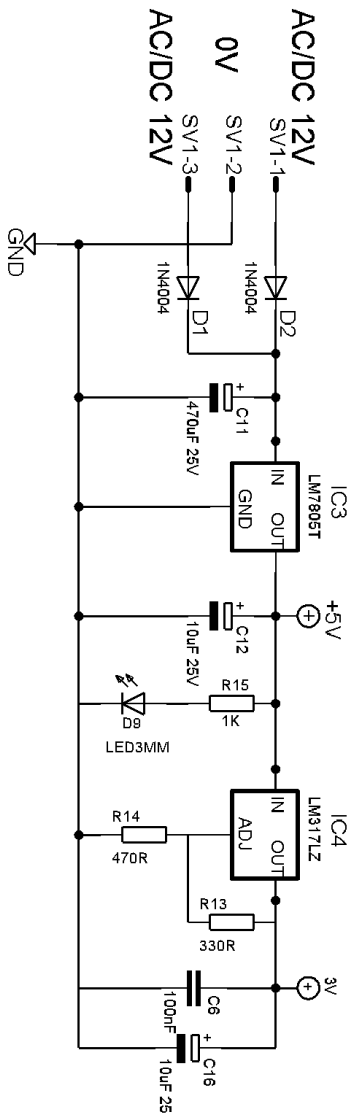


D_SUB 9 PIN 90 DERECE DISI PCB TIPI KONN.



DRAIN BY			APPROVED BY
DATE			TITLE
16-11-2005	NO	UMD-UTRC10M	