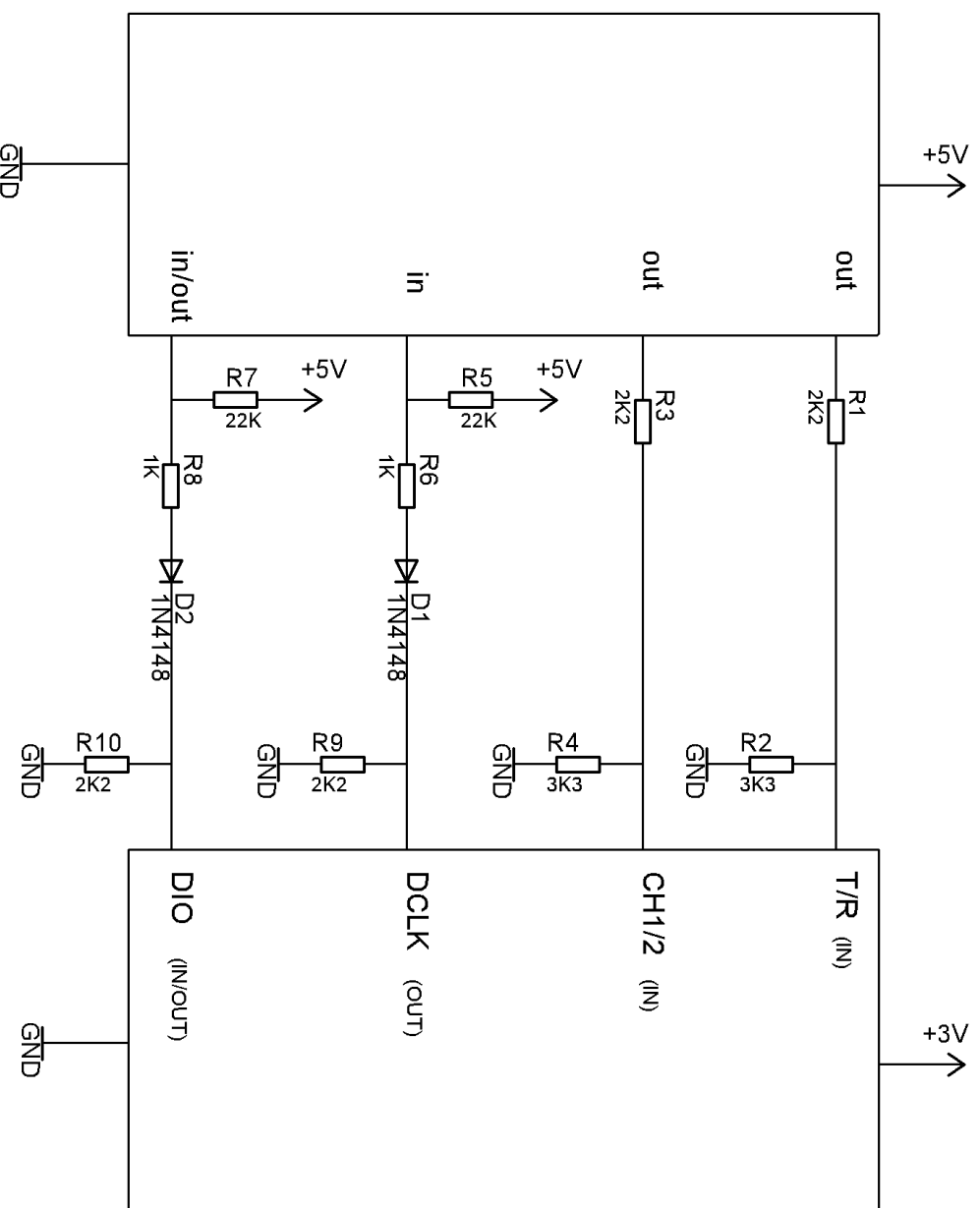


micro controller

rf module



UDEA

5V_3V_LEVEL_INTERFACE

31.03.2006 16:14:31

Sheet: 1/1

REV-2